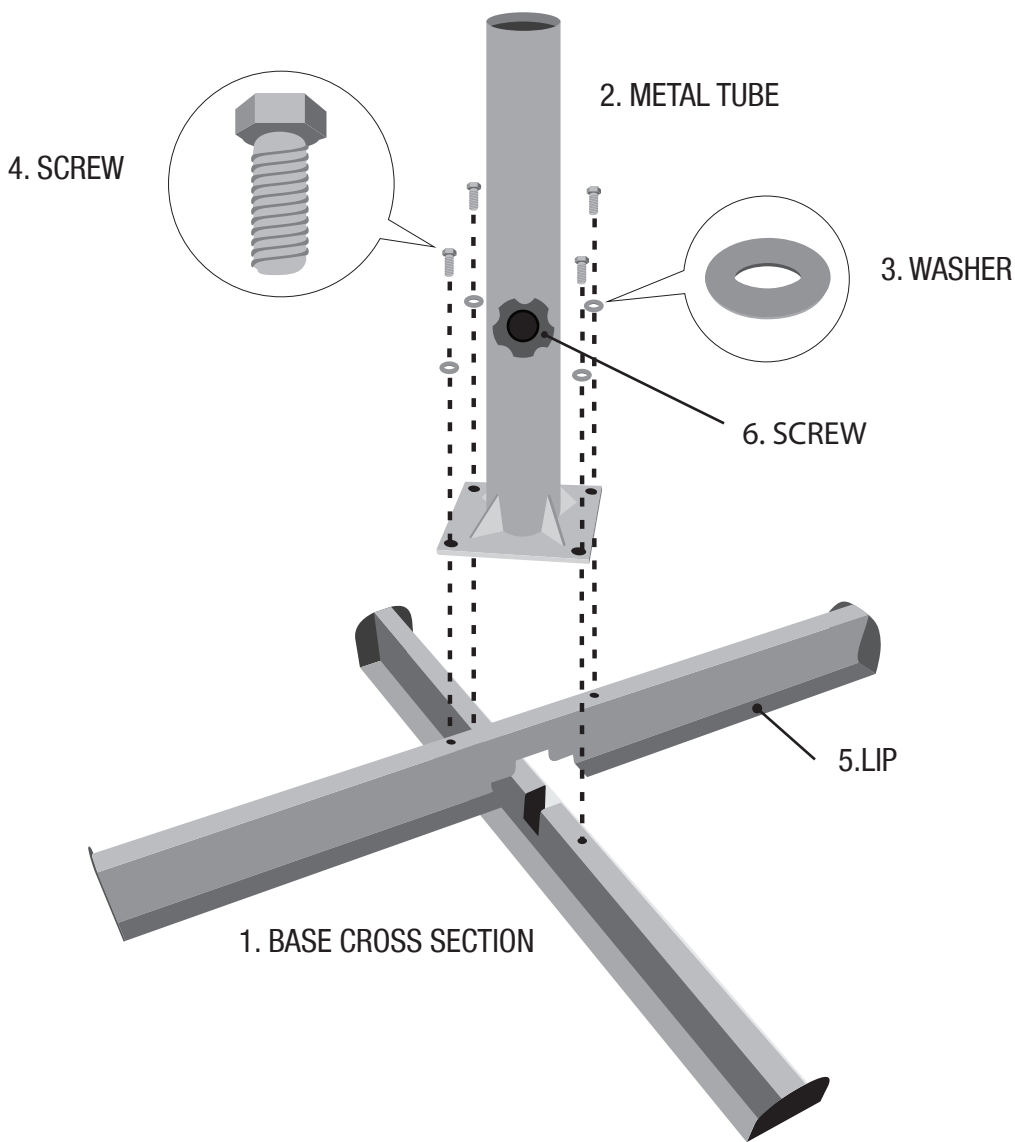




## **USER MANUAL FOR METAL CROSS ASSEMBLY**

Adolfa Wisserta 3/a, Varaždin, Hrvatska  
e-mail: [info@vis-cro.com](mailto:info@vis-cro.com)  
[www.vis-cro.com](http://www.vis-cro.com)

Web Shop: [shop.vis-cro.com](http://shop.vis-cro.com)



**Instructions:** Place two base cross sections (1) on top of each other. Place metal tube (2) on top of the crossed base and fix them securely with 4 screws (4) using washers (3) under each screw. Put concrete blocks on lips (5) of base cross section.

After metal cross base assembly insert the parasol (central pole) into the metal tube (2) of the parasol base. Fit the screw (6) on the tube to the appropriate hole in the central pole of the parasol and tighten it until firm grip established.

It is mandatory to put 4 concrete blocks per metal cross.  
 Size for 1 concrete block - 40cmx40cm (maximum height 5cm).  
 The recommended weight is minimum 18kg per 1 concrete block.